

R300 Miniature Power relay



FITRE S.p.A. - Componets Division

20142 Milano - Italia - via Valsolda,15
 tel (+39) 02.8959.0214 - fax (+39) 02.8959.0400
 e-mail: fitre.componenti@fitre.it - web site: www.fitrecomponenti.it



FEATURES

- Small size, (20.5x7x15 mm) light weight.
 - Switching capacity up to 5A.
 - Low coil power consumption 0.2W.
- Suitable for household electrical appliance, automation system, electronic equipment, instrument, meter, telecommunication facilities and remote control facilities.

Operation condition

Insulation Resistance	1000M Ω min (at 500VDC)
Dielectric Strength: Between coil and Contacts Between open contacts	50Hz 4000V surge voltage:7kV 50Hz 750V
Operate time	10ms
Release time	5ms
Shock Resistance	Functional:100m/s ² 11ms Survival:1000m/s ² 6ms
Vibration Resistance	10~50Hz Functional & Survival double amplitude 1.5mm
Temperature rise	5N
Humidity	20%~85% (at 40 $^{\circ}$ C)
Ambient temperature	-30 $^{\circ}$ C~70 $^{\circ}$ C
Termination	PCB
Construction	sealed
Weight	4g

COIL

Coil power	0.2W
------------	------

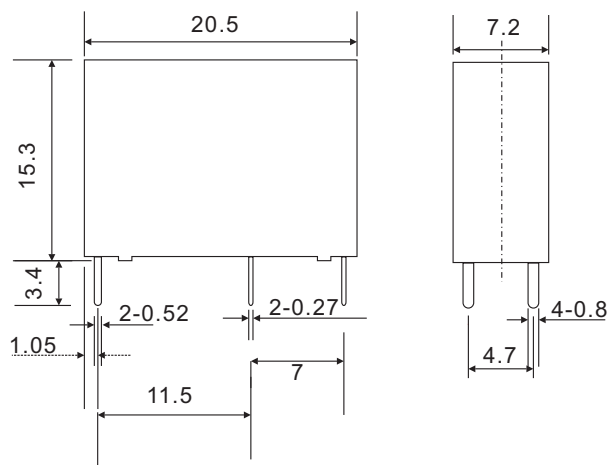
Contact data

Contact Arrangement	1A
Initial Contact Resistance	$\leq 100m\Omega$
Contact Material	Silver Alloy (Gold clad)
Contact Rating(Res.Load)	5A/30VDC,250VAC
Max.Switching Power	150W 1250VAC
Max.switching Voltage	110VDC 250VAC
Max.switching Current	5A
Mechanical life	10^7
Electrical life	10^5

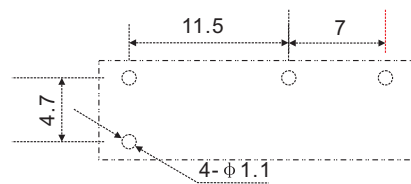
Coil parameter(0.2W)

Nominal Voltage VDC	Pick-up Voltage VDC	Drop-out Voltage VDC	Coil Current mA	Coil Resistance (at 20 $^{\circ}$ C) Ω
3	2.25	0.3	3.9	45 $\pm 10\%$
5	3.75	0.5	6.5	125 $\pm 10\%$
6	4.50	0.6	7.8	180 $\pm 10\%$
9	6.75	0.9	11.7	405 $\pm 10\%$
12	9.00	1.2	15.6	720 $\pm 10\%$
18	13.5	1.8	23.4	1620 $\pm 10\%$
24	18.0	2.4	31.2	2880 $\pm 10\%$

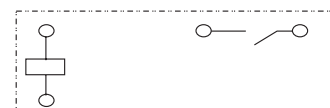
Dimensions (Unit: mm)



Dimensions



Mounting (Bottom views)



Wiring diagram

Ordering Information

R300	/ 012	H	1	
				4. Full sealed type
				3. 1A normally open contact
				2. Coil rated voltage (VDC)
1. Part number: R300				

I dati riportati in questa pubblicazione non sono impegnativi e possono venire modificati senza preavviso. The information contained in this publication are not binding and are subject to change without notice.