



FEATURES

- 10A cube relay
- 1 Form C (1PDT) contact arrangement
- Plastic material applied in high temperature and better chemical solution.
- Sealed type for washing procedure
- Using at domestic appliances, office machines, audio equipment, coffee pot , control units, etc.

CONTACT RATING

Resistive (Cos.θ = 1)	7A/10A 250VAC
Maximum switching rated voltage	277VAC
Maximum switching current rating	12A
Maximum switching power rating	2770VA

COIL DATA(0.36W, at 25° C)

Coil Nominal Voltage (VDC)	Resistance Tol.±10% (Ohms)				Nominal Current (mA)				Maximum Pick Up Voltage (V)	Minimum Drop Out Voltage (V)
	0.36W				0.36W					
3	25				120				2.1	0.3
5	70				71				3.5	0.5
6	100				60				4.2	0.6
9	225				40				6.3	0.9
12	400				30				8.4	1.2
24	1,600				15				16.8	2.4
48	6,400				7.5				33.6	4.8

ORDERING INFORMATION

R424D / 012AZ 1 Ü P
Á FÁ Á Á GÁ Á HÁ I Á Í Á Î

1 Model: R424D

2 Coil voltage: see coil data

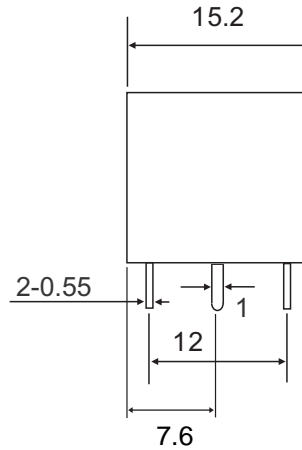
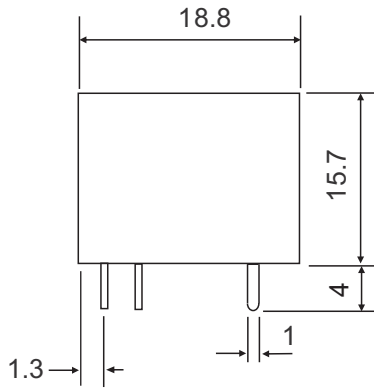
3 Contact form: Z=1C

4 Version: 1=sealed

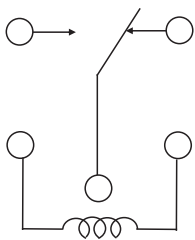
5 Contact arrangement: 1PDT

6 Operating temperature range: -40°C to +85°C

DIMENSIONS

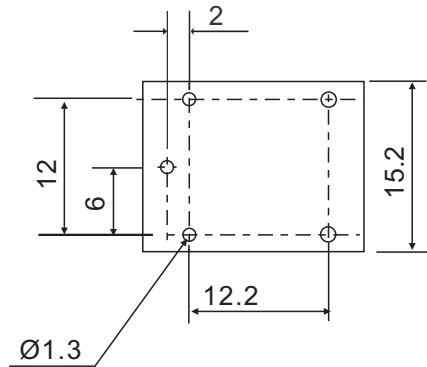


WIRING DIAGRAM (BOTTOM VIEW)

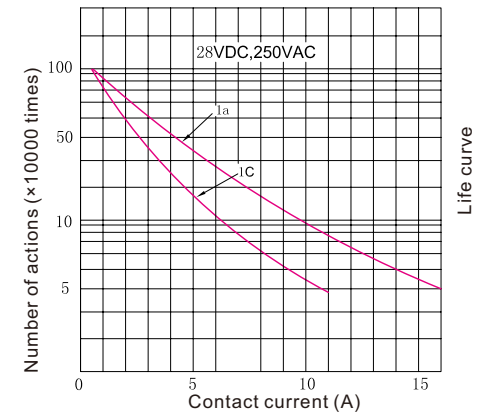
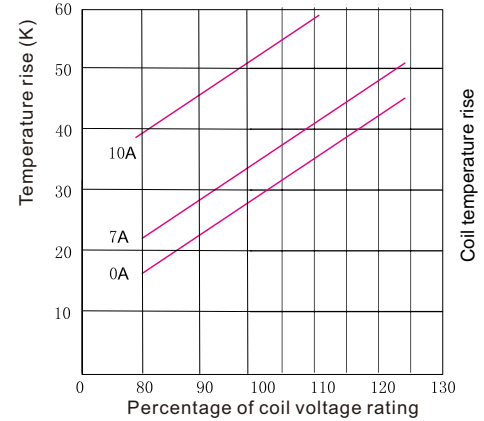
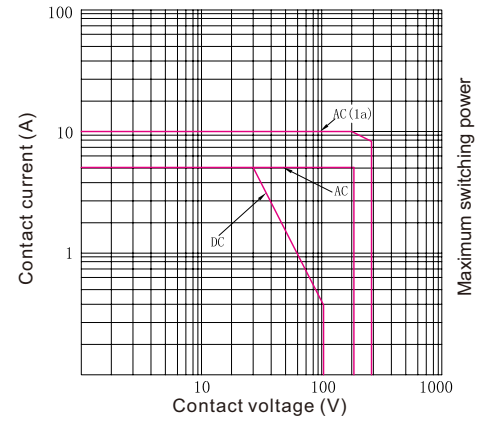


- < 1mm : ±0.2mm
- 1 ~ 5 mm : ±0.3mm
- > 5mm : ±0.4mm

P.C.B LAYOUT (BOTTOM VIEW)



Performance graph



GENERAL DATA

Insulation Resistance	100 MΩ Min. (DC 500V)
Dielectric Strength	750 VAC, 1 min disconnect the contacts
	1.500 VAC, 1 min coil and contact.
...	
Contact Resistance	≤ 100m Ω (1A 6VDC)
Shock Resistance	Malfunction: 10G(11ms) ; Destructive: 100G(6ms)
Vibration Resistance	Malfunction: 10 to 55 Hz. at Double Amplitude of 1.5 mm
	Destructive: 10 to 55 Hz. at Double Amplitude of 1.5 mm
Operation Time	10ms max. at rated voltage
Release Time	5 ms max. at rated voltage
Temperature Range	- 40°C ~ + 105°C
Weight	9.5 grams